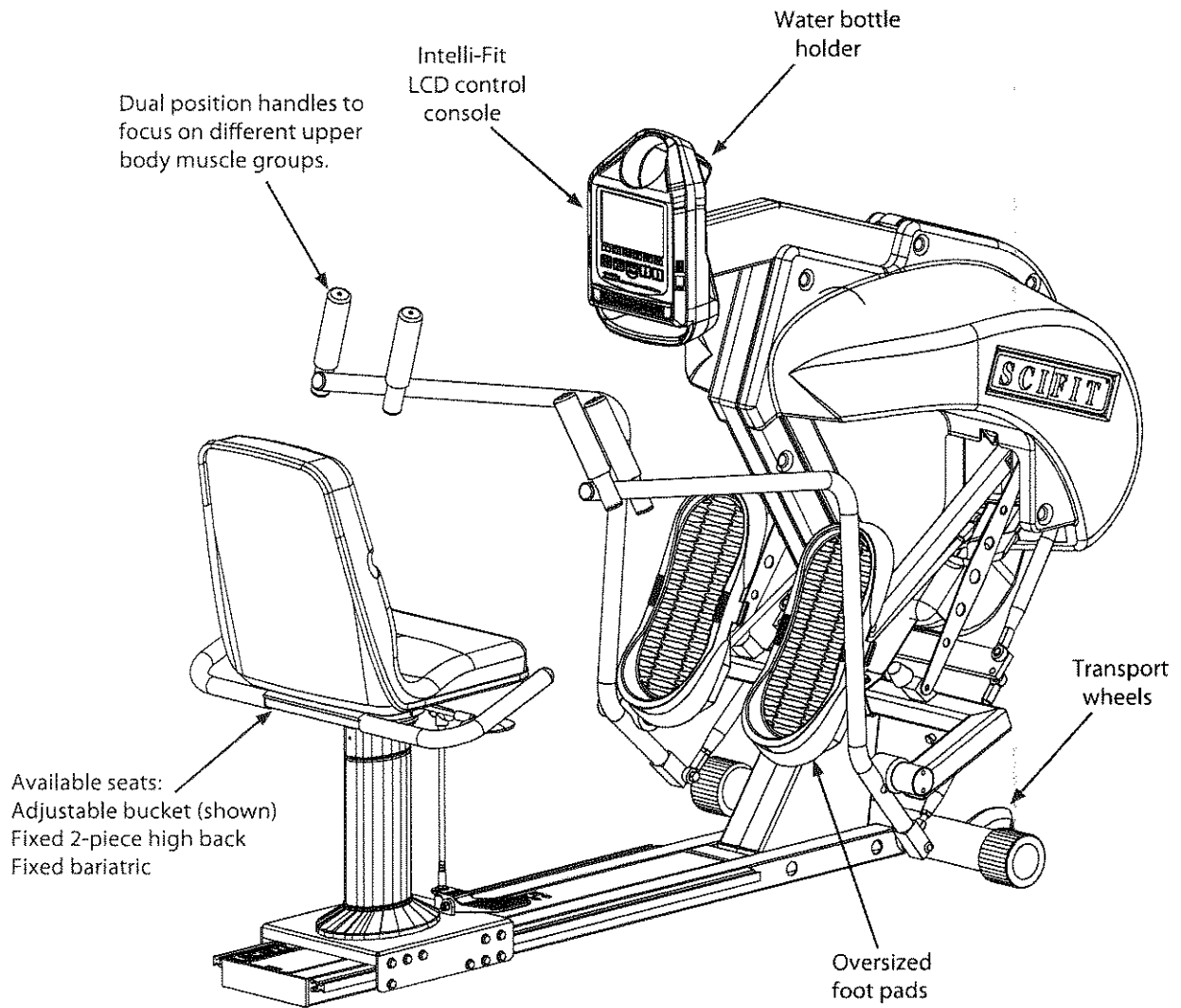


PRODUCT OVERVIEW

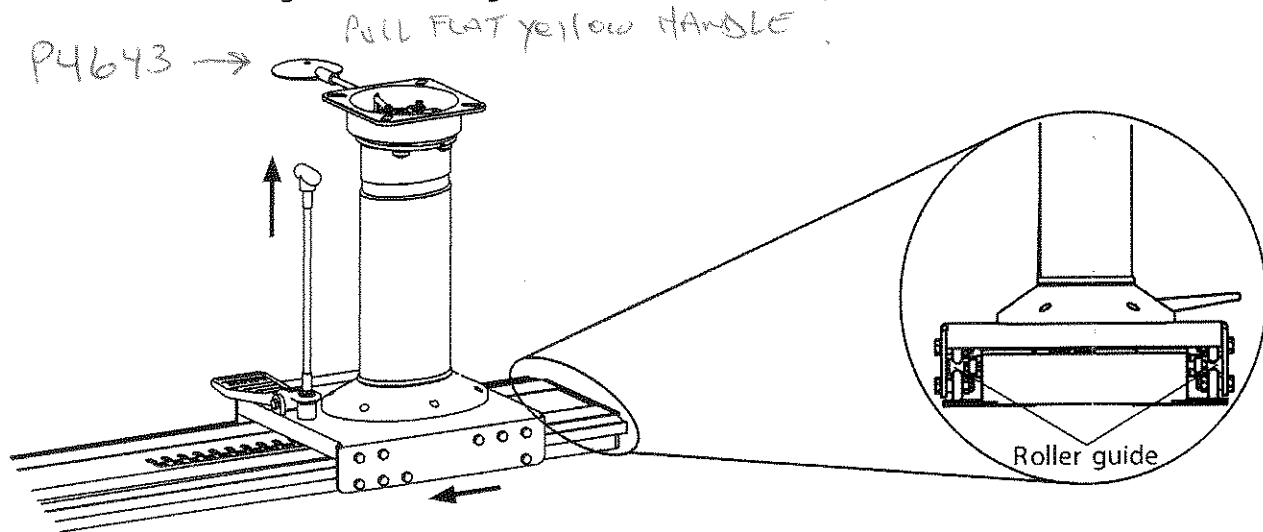


ASSEMBLY

SWIVEL SEAT ASSEMBLY

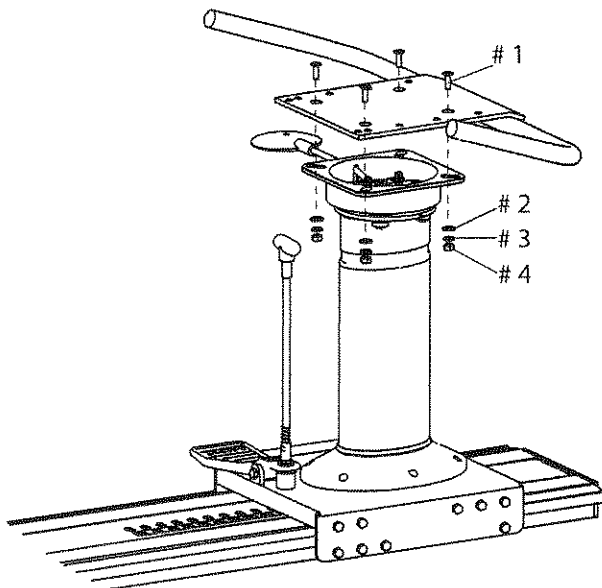
Step 1:

Pull upward the yellow T-handle of the seat adjustment lever, then lift and slide the seat post onto the frame track making sure the roller guide rail is between the top and bottom wheels of the base.







Step 2:

Attach the handlebar plate to the seat post with (Qty. 4) items #1, #2, #3 and #4 as shown on the drawing below.



Tools Required:

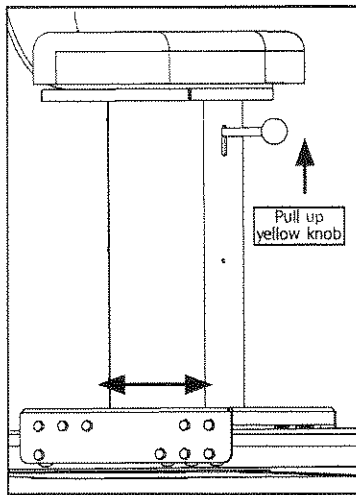
3/16 Hex wrench
1/2" Wrench or socket

-  Item #1 (x 4)
5/16-18 x 1 Socket Flat Head Screw
-  Item #2 (x 4)
5/16 Flat Washer
-  Item #3 (x 4)
5/16 Split Washer
-  Item #4 (x 4)
5/16 Nut

ADJUSTMENTS

Fixed Seat Horizontal Adjustment

The seat should be positioned so the legs have a slight bend at full extension. To adjust the seat, lift upward on the yellow knob located in the front of the seat assembly and move the seat forward or back as desired. The seat will adjust in 1" (25mm) increments.



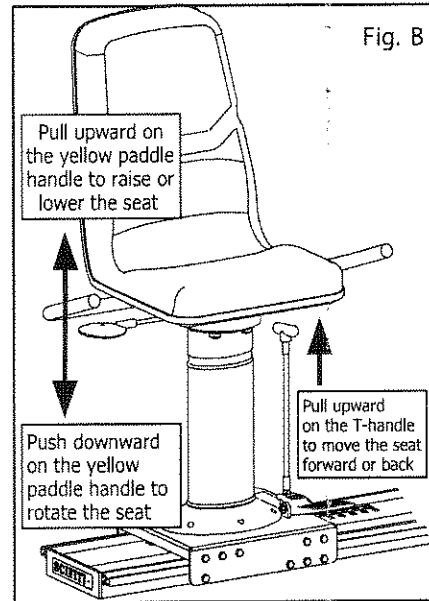
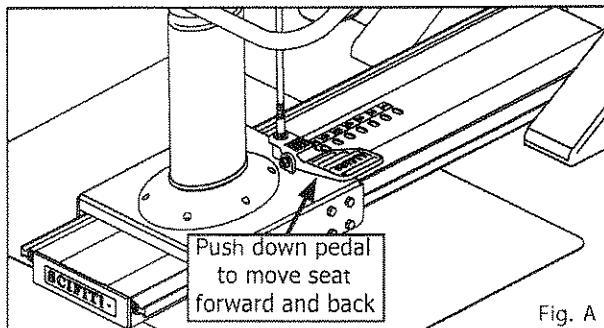
Swivel Seat Adjustments

Horizontal - The seat can be adjusted forward or back in 1" increments and is held in place with a spring loaded pin.

The seat may be adjusted in one of two ways:

1. (Fig. A) Push down on the foot assist pedal located at the bottom of the seat assembly.
2. (Fig. B) Pull up on the yellow T-handle and slide the seat forward or back.

Adjust the seat so the legs have a slight bend at full extension.



Height (Fig. B) - Pull upward on the yellow paddle shaped handle to move the seat up or down.

NOTE: The seat will only move up when no weight is on it.

Swivel (Fig. B) - Push the yellow paddle shaped handle downward and rotate the seat until it locks in place. The seat will lock into place at every 90 degree position.